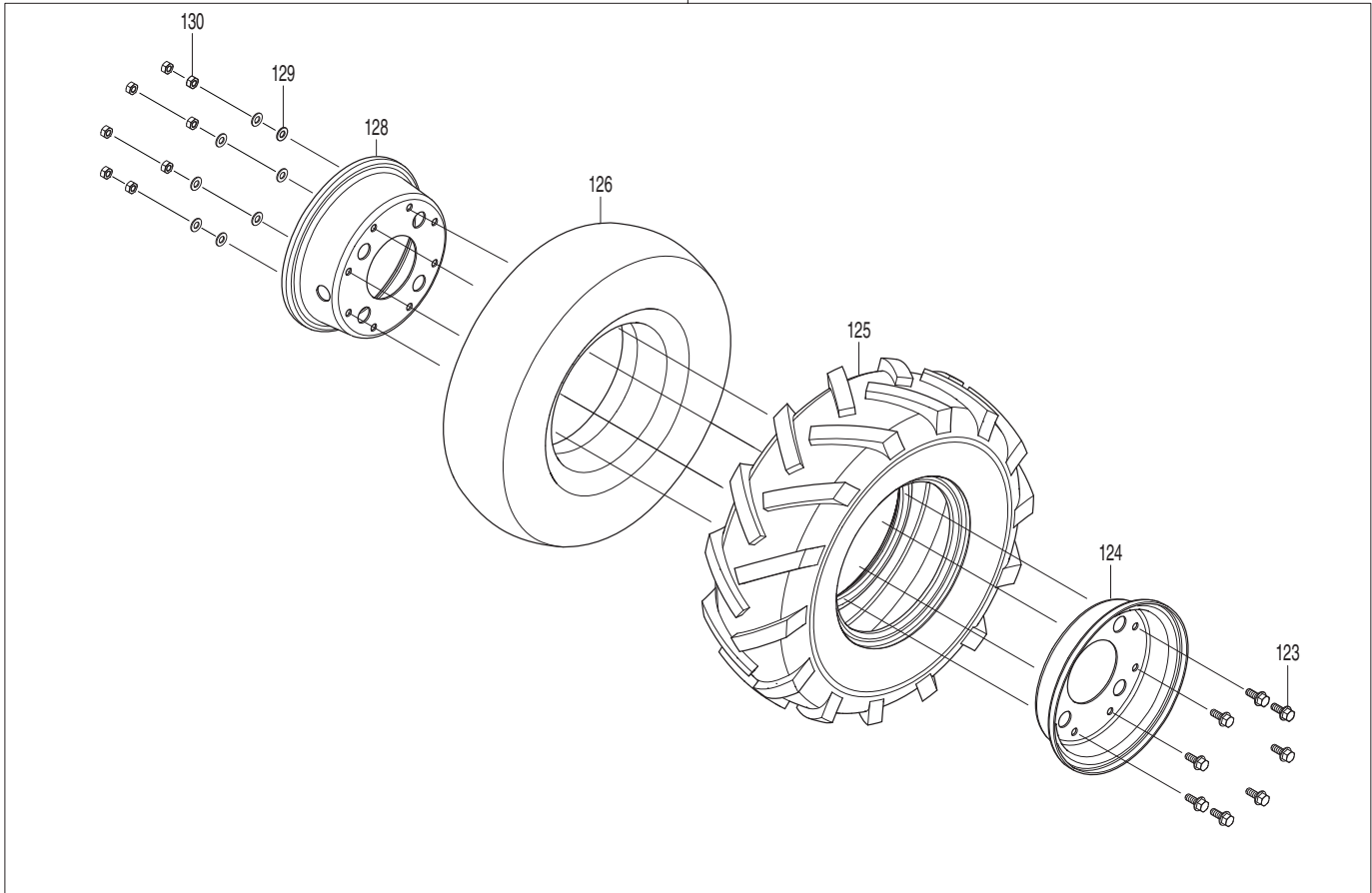
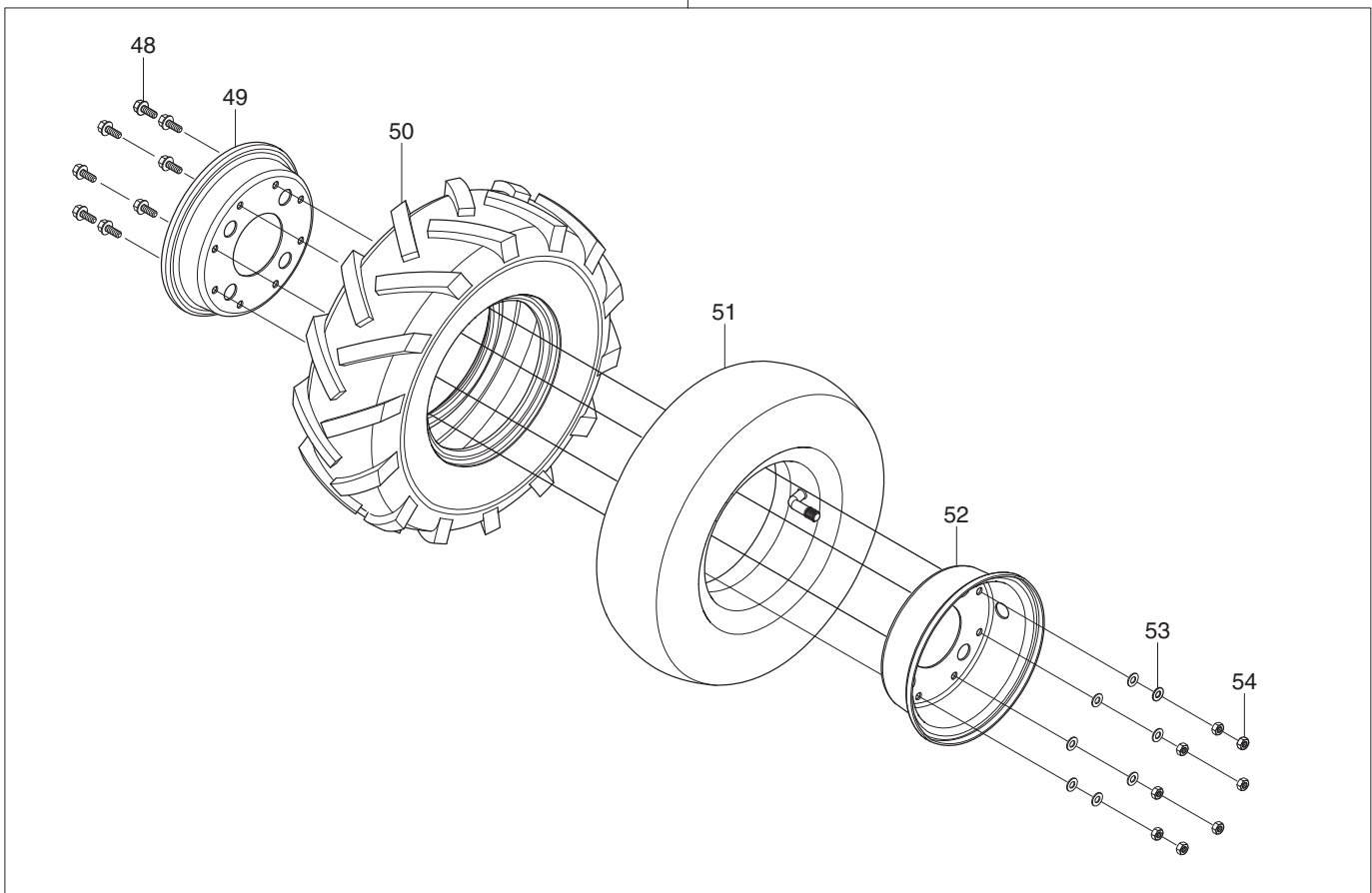
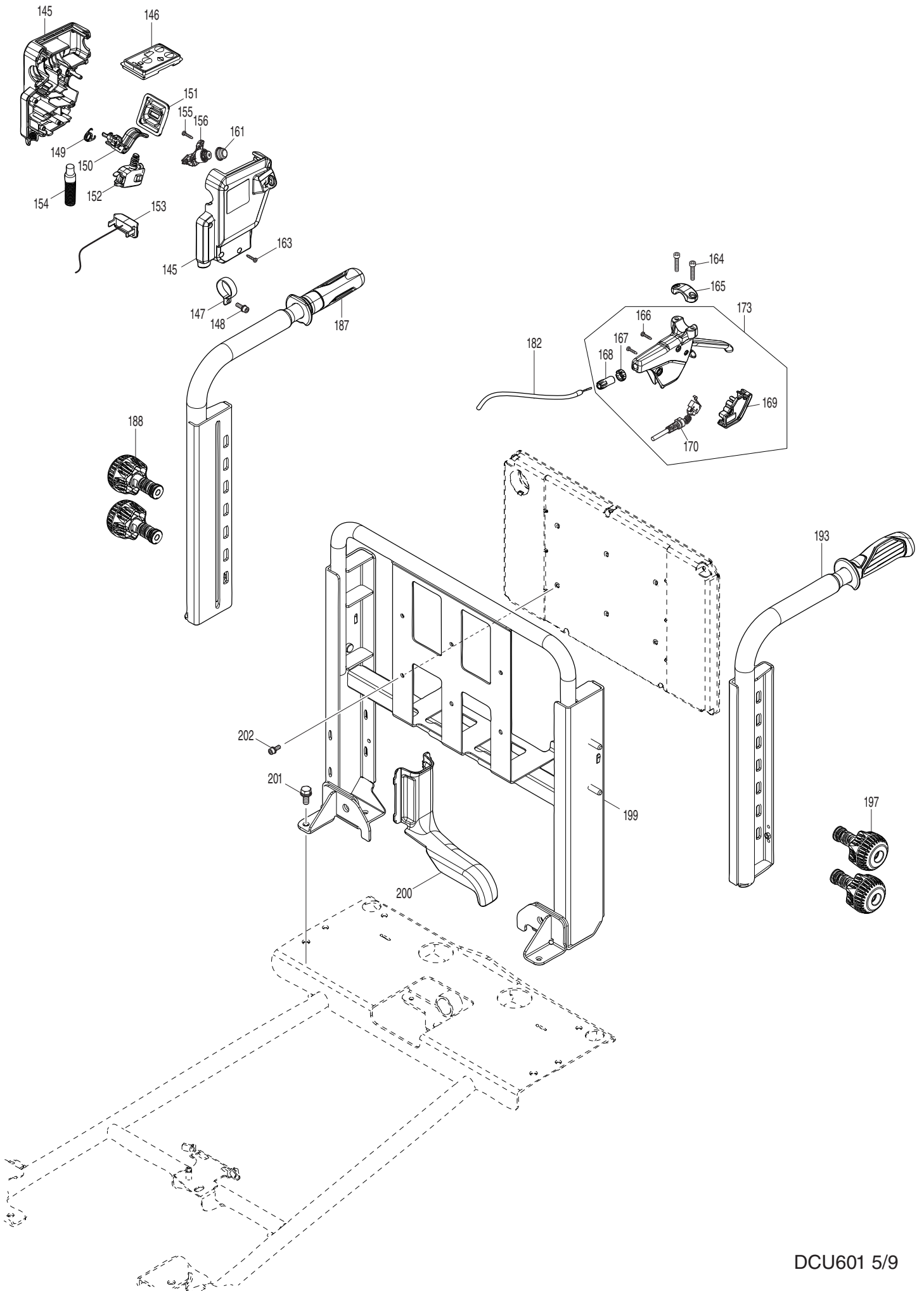


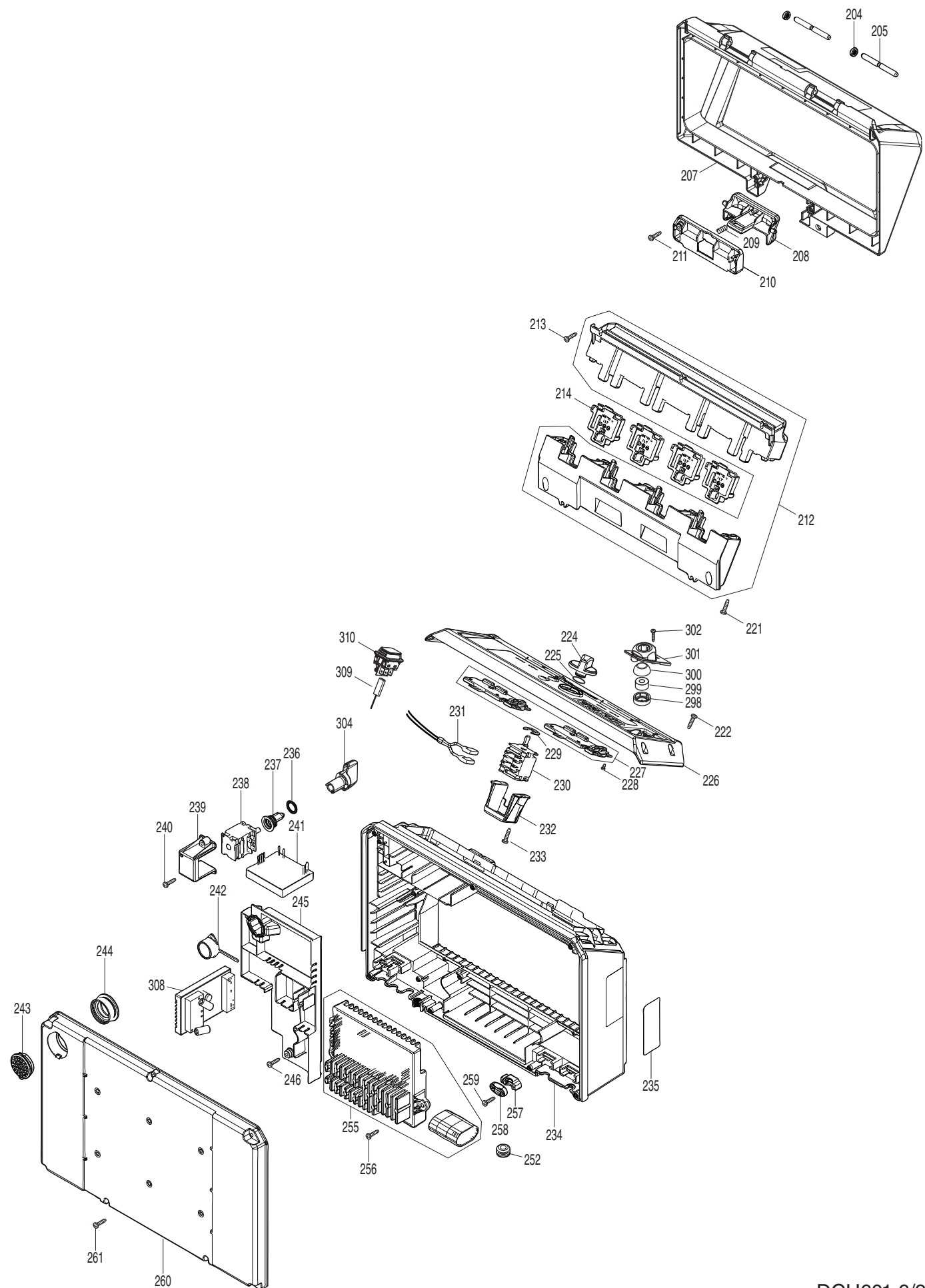
42

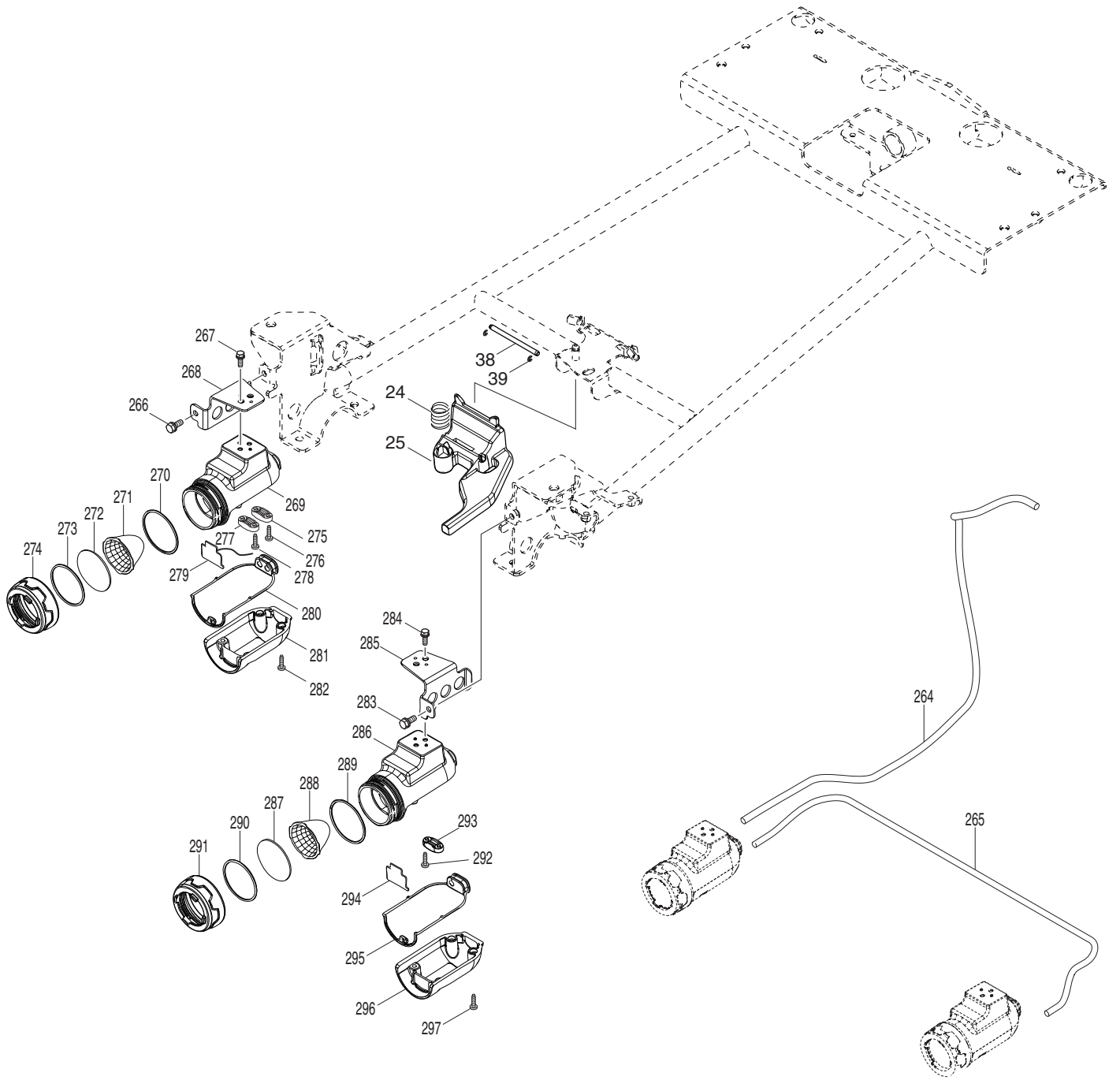


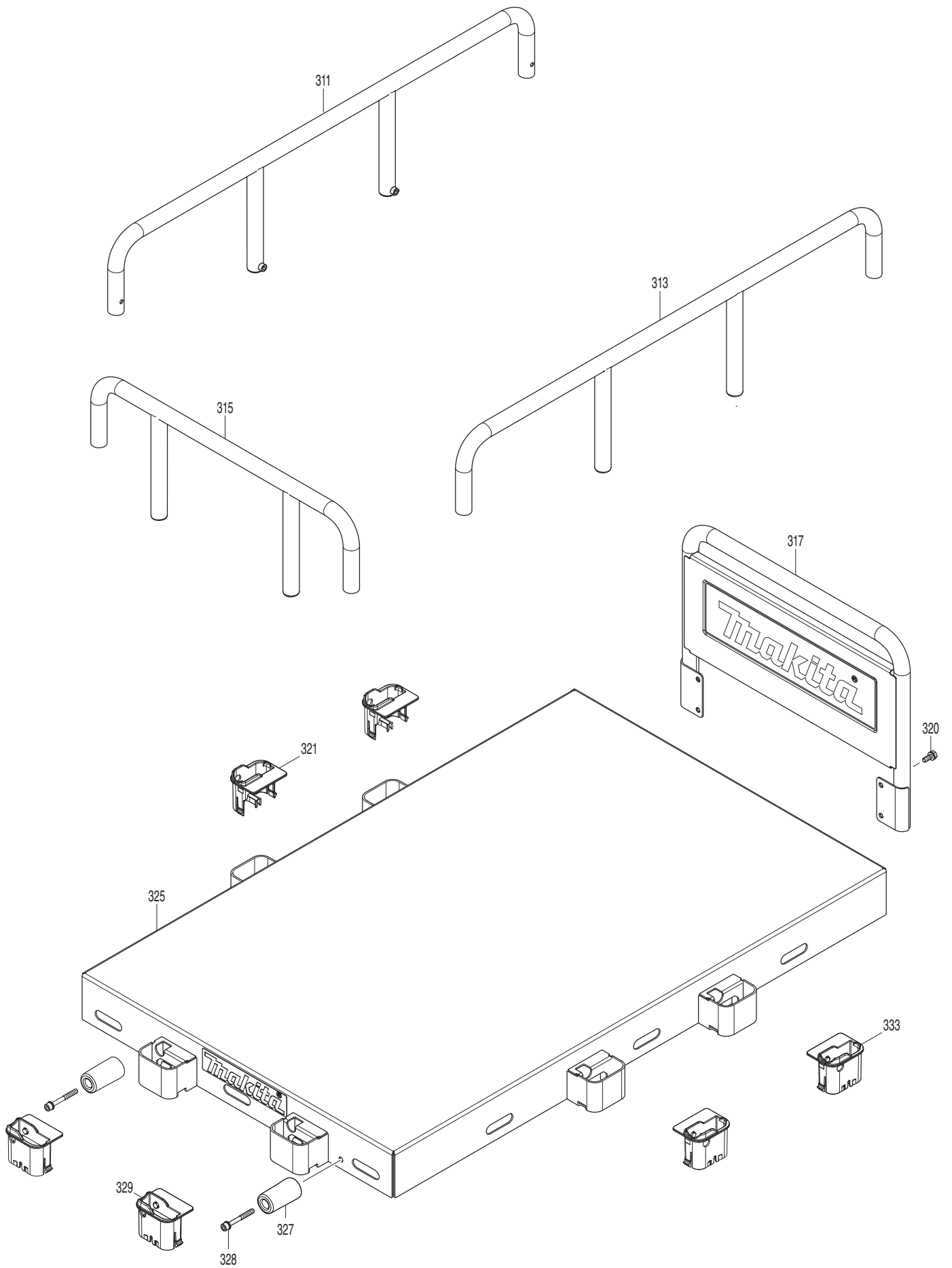
44

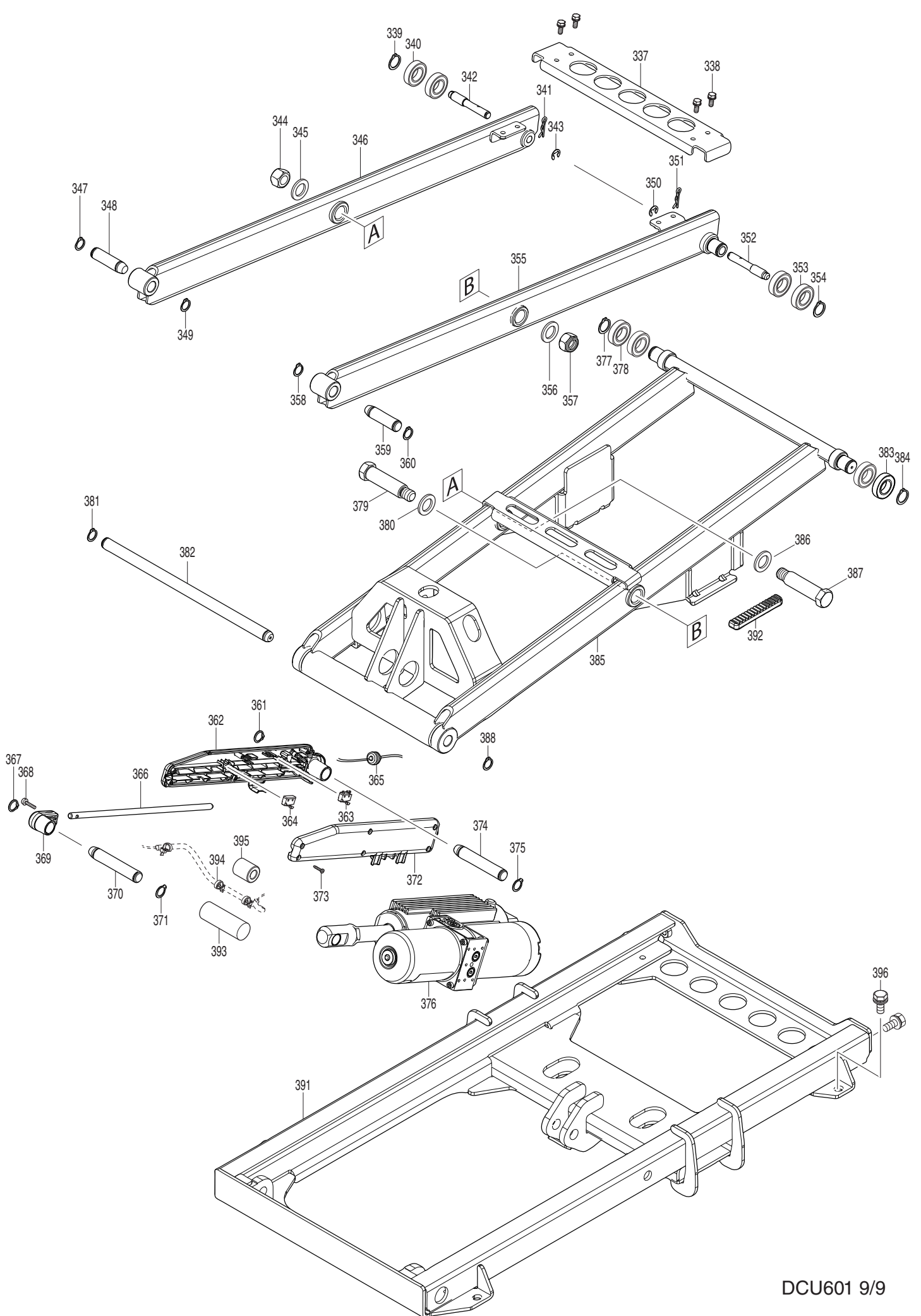












Item No.	Type	Sub	Part No.	Description	Qty	Unit
001			412561-2	CORD COVER	1	PC.
002			265B11-6	HEX. BOLT M8X20 WITH WR	1	PC.
003			141P49-8	MAIN FRAME COMPLETE	1	PC.
		INC.	8064B2-0	INDICATION LABEL	1	PC.
004			256940-2	PIN 14	1	PC.
005			327472-7	BASE SHAFT 25	1	PC.
006			961062-2	STOP RING E-12	1	PC.
008			261163-9	RUBBER WASHER 25	1	PC.
009			687F01-7	BAND	1	PC.
010			265D23-1	HEX. S.H.B M6X22 WITH GM	2	PC.
011			136868-9	BRAKE CALIPER R ASS'Y	1	PC.
		INC.		Item No. 305		
012			265C76-4	HEX. BOLT M5X35 WITH WR	2	PC.
014			347993-3	SCRAPER	1	PC.
015			347995-9	CLAMP R	1	PC.
016			265C76-4	HEX. BOLT M5X35 WITH WR	2	PC.
018			347994-1	CLAMP L	1	PC.
019			347993-3	SCRAPER	1	PC.
020			265D23-1	HEX. S.H.B M6X22 WITH GM	2	PC.
021			136869-7	BRAKE CALIPER L ASS'Y	1	PC.
		INC.		Item No. 306		
022			265B11-6	HEX. BOLT M8X20 WITH WR	2	PC.
023			265B11-6	HEX. BOLT M8X20 WITH WR	2	PC.
024			232737-3	COMPRESSION SPRING 19	1	PC.
025			413D27-9	NEUTRAL LEVER LOCK	1	PC.
026			265C46-3	HEX. BOLT M4X12 WITH WG	1	PC.
027			413D28-7	BRAKE EQUALIZER COVER	1	PC.
028			347629-4	CABLE CLAMP	1	PC.
029			265B14-0	H.S.H.BOLT M6X20 WITH WR	1	PC.
030			961004-6	RETAINING RING (EXT) S-8	1	PC.
031			253165-9	FLAT WASHER 8	3	PC.
032			319906-4	BRAKE EQUALIZER R	1	PC.
033			140P25-9	BRAKE CABLE 370	1	PC.
034			319905-6	BRAKE EQUALIZER L	1	PC.
036			140P25-9	BRAKE CABLE 370	1	PC.
038			256A03-0	ROD 4.5	1	PC.
039			961017-7	STOP RING E-3	2	PC.
040			252289-8	HEX. CAP NUT M14	4	PC.
041			253475-4	SPRING WASHER 14	4	PC.
042			141G99-9	TIRE 330 R ASSEMBLY	1	PC.
		INC.		Item No. 123-126,128-130		
044			141H00-0	TIRE 330 L ASSEMBLY	1	PC.
		INC.		Item No. 48-54		
045			253475-4	SPRING WASHER 14	4	PC.
046			252289-8	HEX. CAP NUT M14	4	PC.
047			347621-0	CLAMP 57	2	PC.
048			265C39-0	HEX. FLANGE HD. BOLT M6X16	8	PC.
049			347950-1	WHEEL 150	1	PC.
050			422857-3	TIRE 330	1	PC.
051			162B39-4	TUBE 330	1	PC.
		INC.	GQ00000001	VALVE CAP M8	1	PC.
052			347949-6	WHEEL 150	1	PC.
053			253551-4	FLAT WASHER 6	8	PC.
054			252308-0	HEX. NUT M6-10	8	PC.
058			122E51-4	MOTOR ASSEMBLY	1	PC.
059			347698-5	DIFF BRACKET	1	PC.

Item No.	Type	Sub	Part No.	Description	Qty	Unit
060			347A16-3	NEUTRAL LEVER	1	PC.
061			347697-7	NEUTRAL LEVER HOLDER	1	PC.
062			232616-5	TORSION SPRING 14	1	PC.
063			413D41-5	NEUTRAL CHANGE LEVER	1	PC.
064			253430-6	FLAT WASHER 8	1	PC.
065			265465-5	SHOULDER HEX. BOLT M6	1	PC.
066			NP00000001	SPLIT PIN 3-35	2	PC.
067			NP00000002	HEX. NUT M20	2	PC.
068			NP00000003	SPRING WASHER 22	2	PC.
069			313304-4	HUB	2	PC.
070			347208-8	BRAKE DISC	2	PC.
071			141P62-6	PLATE COMPLETE	2	PC.
072			265C87-9	H.S.B. HEAD SCREW M5X12	12	PC.
073			327626-6	SLEEVE 25	2	PC.
074			NP00000004	KEY 6	2	PC.
075			122D22-5	DIFFERENTIAL GEAR UNIT	1	PC.
		INC.		Item No. 66-74		
077			122C29-5	TURNING LOCK R ASSEMBLY	1	PC.
		INC.		Item No. 78-85		
078			413D33-4	LOCK LEVER	1	PC.
079			327938-7	SNAP RETAINER	1	PC.
080			268181-8	PIN 3	1	PC.
081			413D32-6	LIFTER GUIDE R	1	PC.
082			232617-3	COMPRESSION SPRING 10	1	PC.
083			253173-0	FLAT WASHER 10	1	PC.
084			961013-5	STOP RING E-7	1	PC.
085			256A04-8	PIN 10	1	PC.
086			265C46-3	HEX. BOLT M4X12 WITH WG	2	PC.
087			122C28-7	TURNING LOCK L ASSEMBLY	1	PC.
		INC.		Item No. 88-95		
088			413D33-4	LOCK LEVER	1	PC.
089			327938-7	SNAP RETAINER	1	PC.
090			268181-8	PIN 3	1	PC.
091			413D31-8	LIFTER GUIDE L	1	PC.
092			232617-3	COMPRESSION SPRING 10	1	PC.
093			253173-0	FLAT WASHER 10	1	PC.
094			961013-5	STOP RING E-7	1	PC.
095			256A04-8	PIN 10	1	PC.
096			265C46-3	HEX. BOLT M4X12 WITH WG	2	PC.
097			162712-4	REAR BASE	1	PC.
098			265B13-2	HEX. BOLT M10X20 WITH WG	8	PC.
106			265B10-8	HEX BOLT M12X40	1	PC.
107			253460-7	FLAT WASHER 13	1	PC.
109			213A73-2	O-RING 15	4	PC.
112			327646-0	AXLE 20	1	PC.
113			253460-7	FLAT WASHER 13	1	PC.
114			265B10-8	HEX BOLT M12X40	1	PC.
115			136835-4	HEX. SLEEVE 20 ASS'Y	1	PC.
		INC.	263027-3	RUBBER PIN 4	1	PC.
117			141H01-8	TIRE 210 ASSEMBLY	2	PC.
		INC.		Item No. 131-134,136-139		
118			257498-4	RING 20	1	PC.
121			136835-4	HEX. SLEEVE 20 ASS'Y	1	PC.
		INC.	263027-3	RUBBER PIN 4	1	PC.
122			127457-1	CASTER 210 ASSEMBLY	2	PC.
		INC.		Item No. 106,107,109,112-115,		
		INC.		Item No. 117,118,121		
123			265C39-0	HEX. FLANGE HD. BOLT M6X16	8	PC.

Item No.	Type	Sub	Part No.	Description	Qty	Unit
124			347950-1	WHEEL 150	1	PC.
125			422857-3	TIRE 330	1	PC.
126			162B39-4	TUBE 330	1	PC.
		INC.	GQ00000001	VALVE CAP M8	1	PC.
128			347949-6	WHEEL 150	1	PC.
129			253551-4	FLAT WASHER 6	8	PC.
130			252308-0	HEX. NUT M6-10	8	PC.
131			265C40-5	HEX. BOLT M8X20	4	PC.
132			253552-2	FLAT WASHER 8	4	PC.
133			347952-7	WHEEL 100	1	PC.
134			422860-4	TIRE 210	1	PC.
136			162B40-9	TUBE 210	1	PC.
		INC.	GQ00000001	VALVE CAP M8	1	PC.
137			347951-9	WHEEL 100	1	PC.
138			253552-2	FLAT WASHER 8	4	PC.
139			252309-8	HEX. NUT M8-13	4	PC.
145			183X90-3	SWITCH BOX SET	1	SET
		INC.	8065A9-5	CAUTION LABEL	1	PC.
146			140P26-7	SWITCH CIRCUIT COMPLETE	1	PC.
		INC.	183X57-1	SWITCH PLATE SET	1	PC.
		INC.	266490-9	TAPPING SCREW PT 2X6	3	PC.
147			346249-1	PIPE CLAMP 28	1	PC.
148			265A97-4	H.S.H.BOLT M5X16 WITH WR	1	PC.
149			232738-1	TORSION SPRING 11	1	PC.
150			412206-2	SWITCH LEVER	1	PC.
151			422554-1	LEVER COVER	1	PC.
152			651395-0	SWITCH C3JW-6B-PA6N	1	PC.
153			620C26-0	LED CIRCUIT	1	PC.
154			699178-0	POWER SUPPLY CORD UNIT	1	PC.
153			620C26-0	LED CIRCUIT	1	PC.
154			699178-0	POWER SUPPLY CORD UNIT	1	PC.
155			266130-9	TAPPING SCREW BIND PT 3X16	2	PC.
156			122C26-1	BUZZER SWITCH ASSEMBLY	1	PC.
		INC.	632T14-7	SWITCH UNIT	1	PC.
161			422555-9	SWITCH COVER	1	PC.
163			266130-9	TAPPING SCREW BIND PT 3X16	6	PC.
164			265C98-4	HEX SOCKET HEAD BOLT M5X25	2	PC.
165			312C48-1	CLAMP 22	1	PC.
166			266130-9	TAPPING SCREW BIND PT 3X16	2	PC.
167			312C44-9	ADJUST NUT	1	PC.
168			312C43-1	ADJUST BOLT	1	PC.
169			413D25-3	SWITCH HOLDER	1	PC.
170			632T13-9	SWITCH UNIT	1	PC.
173			127458-9	BRAKE LEVER ASSEMBLY	1	PC.
		INC.		Item No. 166-170		
182			140P23-3	BRAKE CABLE 1590	1	PC.
187			140T47-3	HANDLE R COMPLETE	1	PC.
188			141H20-4	HANDLE LOCK KNOB	2	PC.
		INC.	232739-9	COMPRESSION SPRING 15	2	PC.
		INC.	313400-8	SPRING HOLDER	2	PC.
193			140P15-2	HANDLE L COMPLETE	1	PC.
197			141H20-4	HANDLE LOCK KNOB	2	PC.
		INC.	232739-9	COMPRESSION SPRING 15	2	PC.
		INC.	313400-8	SPRING HOLDER	2	PC.
199			141W22-0	HANDLE BASE COMPLETE	1	PC.
		INC.	8075A0-6	INDICATION LABEL	1	PC.
200			412562-0	HANDLE BASE COVER	1	PC.
201			265B11-6	HEX. BOLT M8X20 WITH WR	4	PC.

Item No.	Type	Sub	Part No.	Description	Qty	Unit
202			265A96-6	H.S.H.BOLT M5X14 WITH WR	6	PC.
204			262206-0	RUBBER RING 6	2	PC.
205			256942-8	ROD 6	2	PC.
207			141M57-1	BATTERY COVER COMPLETE	1	PC.
		INC.	8059F3-3	CAUTION LABEL	1	PC.
	1	INC.	8059G1-4	INDICATION LABEL	1	PC.
	2	INC.	8074Y9-0	INDICATION LABEL	1	PC.
		INC.	816M70-5	INDICATION LABEL	1	PC.
208			412195-1	BATTERY COVER HOOK	1	PC.
209			231240-1	COMPRESSION SPRING 7	1	PC.
210			412533-7	HOOK RETAINER	1	PC.
211			266326-2	TAPPING SCREW 4X18	2	PC.
212			183V34-1	TERMINAL CASE SET	1	SET
		INC.	263005-3	RUBBER PIN 6	8	PC.
213			266326-2	TAPPING SCREW 4X18	5	PC.
214			644809-6	TERMINAL	4	PC.
215			961004-6	RETAINING RING (EXT) S-8	1	PC.
216			265C85-3	HEX SOCKET HEAD BOLT M6X12	2	PC.
217			265C86-1	HEX SOCKET HEAD BOLT M6X22	2	PC.
218			265C86-1	HEX SOCKET HEAD BOLT M6X22	3	PC.
219			347A43-0	SPACER 6	3	PC.
221			266326-2	TAPPING SCREW 4X18	5	PC.
222			266326-2	TAPPING SCREW 4X18	4	PC.
224			412196-9	CHANGE LEVER	1	PC.
225			213A15-6	O-RING 14	1	PC.
226			140P19-4	TOP COVER COMPLETE	1	PC.
		INC.	8048W3-3	INDICATION LABEL	1	PC.
227			620C24-4	INDICATION CIRCUIT	1	PC.
228			265C42-1	TAPPING SCREW 3X6	10	PC.
229			961062-2	STOP RING E-12	1	PC.
230			651444-3	SWITCH 1703.4703	1	PC.
231			638A27-2	LEAD UNIT	1	PC.
232			451343-7	SWITCH HOLDER	1	PC.
233			266326-2	TAPPING SCREW 4X18	2	PC.
234			412188-8	CENTER CASE	1	PC.
235			858Y44-2	DCU601 NAME PLATE	1	PC.
236			213A15-6	O-RING 14	1	PC.
237			413D29-5	KEY JOINT	1	PC.
238			650622-2	SWITCH	1	PC.
239			451343-7	SWITCH HOLDER	1	PC.
240			266326-2	TAPPING SCREW 4X18	2	PC.
241			620G67-0	CONTROLLER	1	PC.
242			620C25-2	BUZZER CIRCUIT	1	PC.
243			413D35-0	BUZZER COVER	1	PC.
244			422840-0	GROMMET	1	PC.
245			412194-3	INNER CASE	1	PC.
246			266326-2	TAPPING SCREW 4X18	2	PC.
252			682141-0	GROMMET	1	PC.
255			620C21-0	CONTROLLER	1	PC.
256			266326-2	TAPPING SCREW 4X18	2	PC.
257			687051-6	STRAIN RELIEF	3	PC.
258			687124-5	STRAIN RELIEF	3	PC.
259			266326-2	TAPPING SCREW 4X18	6	PC.
260			412190-1	FRONT COVER	1	PC.
261			266326-2	TAPPING SCREW 4X18	7	PC.
264			699180-3	POWER SUPPLY CORD UNIT	1	PC.
265			699181-1	POWER SUPPLY CORD UNIT	1	PC.
266			265B16-6	HEX. BOLT M6X16 WITH WR	1	PC.

Item No.	Type	Sub	Part No.	Description	Qty	Unit
267			265B17-4	HEX. BOLT M5X16 WITH WR	2	PC.
268			347622-8	LIGHT STAY R	1	PC.
269			319594-7	LIGHT CASE	1	PC.
270			213656-2	O RING 53	1	PC.
271			457636-0	REFLECTOR	1	PC.
272			457634-4	LENS	1	PC.
273			213604-1	O RING 50	1	PC.
274			457635-2	COVER	1	PC.
275			687124-5	STRAIN RELIEF	1	PC.
276			266034-5	TAPPING SCREW CT 4X16	2	PC.
277			687124-5	STRAIN RELIEF	1	PC.
278			266034-5	TAPPING SCREW CT 4X16	2	PC.
279			620685-2	LED CIRCUIT	1	PC.
280			422151-3	PACKING	1	PC.
281			319595-5	LIGHT CASE COVER	1	PC.
282			266034-5	TAPPING SCREW CT 4X16	4	PC.
283			265B16-6	HEX. BOLT M6X16 WITH WR	1	PC.
284			265B17-4	HEX. BOLT M5X16 WITH WR	2	PC.
285			347623-6	LIGHT STAY L	1	PC.
286			319594-7	LIGHT CASE	1	PC.
287			457634-4	LENS	1	PC.
288			457636-0	REFLECTOR	1	PC.
289			213656-2	O RING 53	1	PC.
290			213604-1	O RING 50	1	PC.
291			457635-2	COVER	1	PC.
292			266034-5	TAPPING SCREW CT 4X16	2	PC.
293			687124-5	STRAIN RELIEF	1	PC.
294			620685-2	LED CIRCUIT	1	PC.
295			422166-0	PACKING	1	PC.
296			319595-5	LIGHT CASE COVER	1	PC.
297			266034-5	TAPPING SCREW CT 4X16	4	PC.
298			413D37-6	LEVEL CASE	1	PC.
299			242101-0	LEVEL INDICATOR	1	PC.
300			413D36-8	LEVEL COVER	1	PC.
301			413D38-4	LEVEL RETAINER	1	PC.
302			266130-9	TAPPING SCREW BIND PT 3X16	2	PC.
303			687F00-9	BAND	1	PC.
304			413D30-0	KEY	1	PC.
305			422961-8	PAD RETAINER	1	PC.
306			422961-8	PAD RETAINER	1	PC.
307			941201-0	FLAT WASHER 8	1	PC.
308			620C22-8	CONTROLLER	1	PC.
309			638A28-0	LEAD UNIT	1	PC.
310			651488-3	SWITCH 1939.3322	1	PC.
311			137044-8	LIFTER SIDE GUARD ASS'Y	1	PC.
313			137044-8	LIFTER SIDE GUARD ASS'Y	1	PC.
315			137045-6	LIFTER FRONT GUARD ASS'Y	1	PC.
317			137046-4	LIFTER REAR GUARD ASS'Y	1	PC.
		INC.	457744-7	CAP 22	2	PC.
		INC.	812S79-1	MAKITA LOGO LABEL	1	PC.
320			265B16-6	HEX. BOLT M6X16 WITH WR	4	PC.
321			137049-8	PIPE GUIDE R ASSEMBLY	2	PC.
		INC.	263045-1	RUBBER PIN 8	1	PC.
325			137043-0	TOP PLATE ASS'Y	1	PC.
		INC.	8048W6-7	MAKITA LOGO LABEL	1	PC.
327			422837-9	BUMPER	2	PC.
328			265C58-6	H.S.H.BOLT M6X50 WITH WR	2	PC.
329			137048-0	PIPE GUIDE L ASSEMBLY	2	PC.

Item No.	Type	Sub	Part No.	Description	Qty	Unit
		INC.	263045-1	RUBBER PIN 8	1	PC.
333			137048-0	PIPE GUIDE L ASSEMBLY	2	PC.
		INC.	263045-1	RUBBER PIN 8	1	PC.
337			347634-1	ARM JOINT	1	PC.
338			265B16-6	HEX. BOLT M6X16 WITH WR	4	PC.
339			961060-6	RETAINING RING S-20	1	PC.
340			211323-3	BALL BEARING 6904LLU	2	PC.
341			259091-0	SNAP PIN 10	1	PC.
342			256944-4	PIN 12	1	PC.
343			961014-3	STOP RING E-8	1	PC.
344			252044-8	HEX. NUT M16-24	1	PC.
345			253461-5	FLAT WASHER 20	1	PC.
346			162729-7	OUTER LIFTER ARM R	1	PC.
347			961056-7	RETAINING RING S-16	1	PC.
348			327478-5	OUTER LIFTER SHAFT 16	1	PC.
349			961056-7	RETAINING RING S-16	1	PC.
350			961014-3	STOP RING E-8	1	PC.
351			259091-0	SNAP PIN 10	1	PC.
352			256944-4	PIN 12	1	PC.
353			211323-3	BALL BEARING 6904LLU	2	PC.
354			961060-6	RETAINING RING S-20	1	PC.
355			162736-0	OUTER LIFTER ARM L	1	PC.
356			253461-5	FLAT WASHER 20	1	PC.
357			252044-8	HEX. NUT M16-24	1	PC.
358			961056-7	RETAINING RING S-16	1	PC.
359			327478-5	OUTER LIFTER SHAFT 16	1	PC.
360			961056-7	RETAINING RING S-16	1	PC.
361			961056-7	RETAINING RING S-16	1	PC.
362			412201-2	SWITCH CASE	1	PC.
363			632L48-2	SWITCH UNIT	1	PC.
364			632T59-5	SWITCH UNIT	1	PC.
365			699179-8	POWER SUPPLY CORD UNIT	1	PC.
366			256941-0	ROD 8	1	PC.
367			961056-7	RETAINING RING S-16	1	PC.
368			911139-3	PAN HEAD SCREW M4X20 WG	1	PC.
369			412203-8	ROD END	1	PC.
370			327479-3	ROD END SHAFT 16	1	PC.
371			961056-7	RETAINING RING S-16	1	PC.
372			412202-0	SWITCH COVER	1	PC.
373			266130-9	TAPPING SCREW BIND PT 3X16	6	PC.
374			327479-3	ROD END SHAFT 16	1	PC.
375			961056-7	RETAINING RING S-16	1	PC.
376			162738-6	HYDRAULIC UNIT	1	PC.
377			961060-6	RETAINING RING S-20	1	PC.
378			211323-3	BALL BEARING 6904LLU	2	PC.
379			265B19-0	HEX. BOLT M16X86	1	PC.
380			253461-5	FLAT WASHER 20	1	PC.
381			961056-7	RETAINING RING S-16	1	PC.
382			327477-7	INNER LIFTER SHAFT 16	1	PC.
383			211323-3	BALL BEARING 6904LLU	2	PC.
384			961060-6	RETAINING RING S-20	1	PC.
385			162728-9	INNER LIFTER ARM	1	PC.
386			253461-5	FLAT WASHER 20	1	PC.
387			265B19-0	HEX. BOLT M16X86	1	PC.
388			961056-7	RETAINING RING S-16	1	PC.
391			141P00-8	LIFTER BASE COMPLETE	1	PC.
		INC.	8059G4-8	CAUTION LABEL	2	PC.
392			422556-7	CUSHION RUBBER	2	PC.

Item No.	Type	Sub	Part No.	Description	Qty	Unit
396			265508-3	HEX.BOLT M10X25	6	PC.
<u>ACCESSORIES</u>			- Visit www.makita.ca for more accessories information -			
A01			-----	18V LI-ION BATTERY		
A02			-----	BATTERY CHARGER		